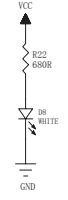
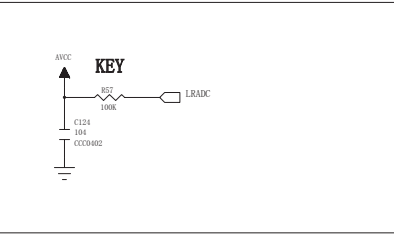
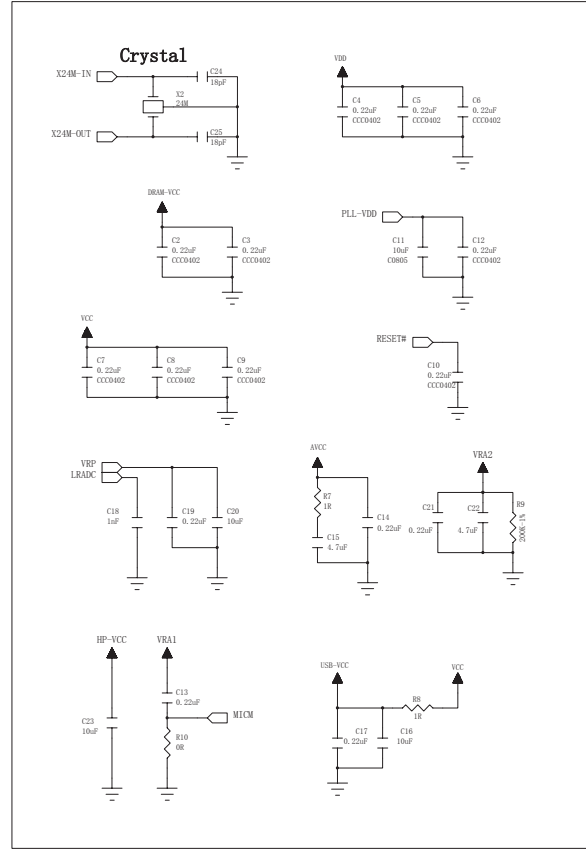
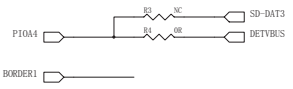
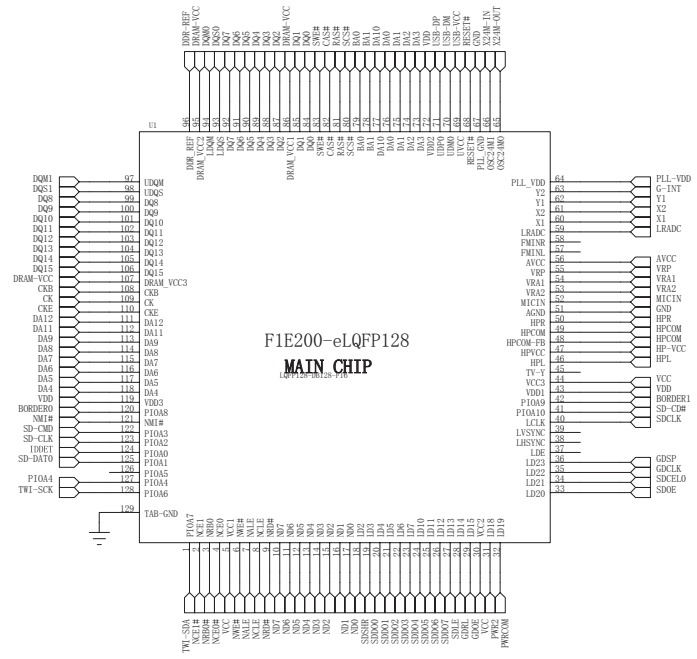


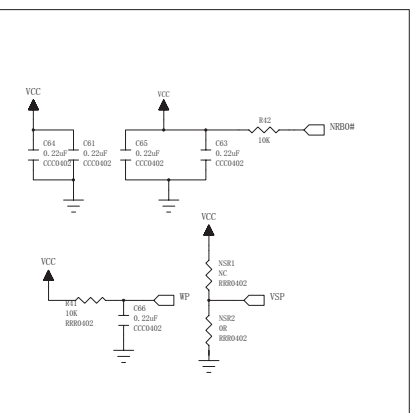
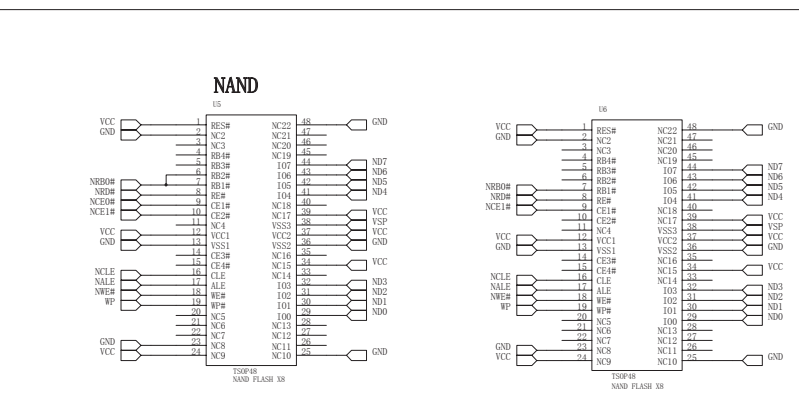
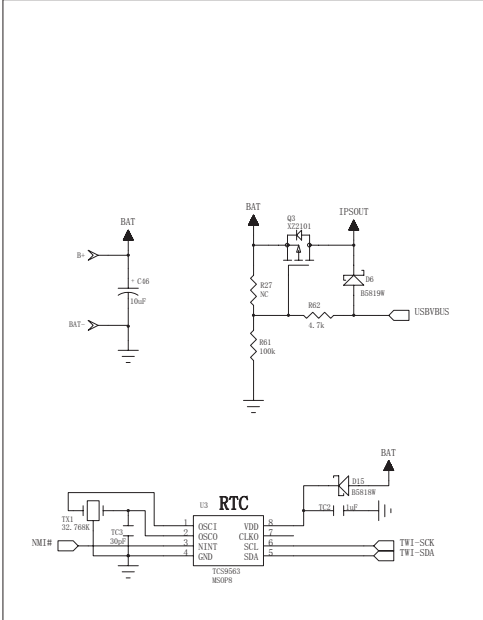
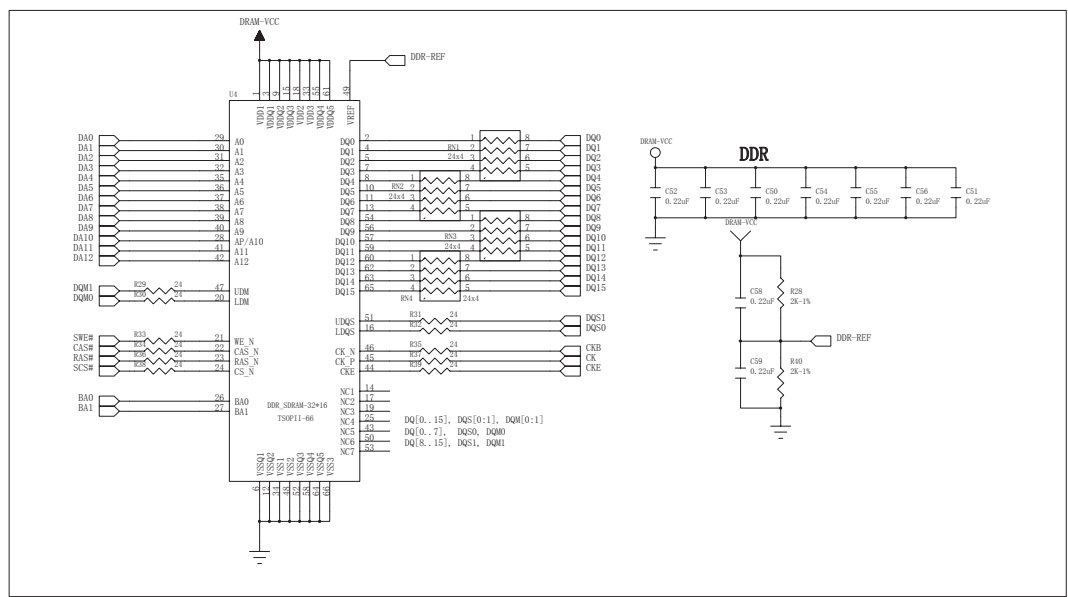
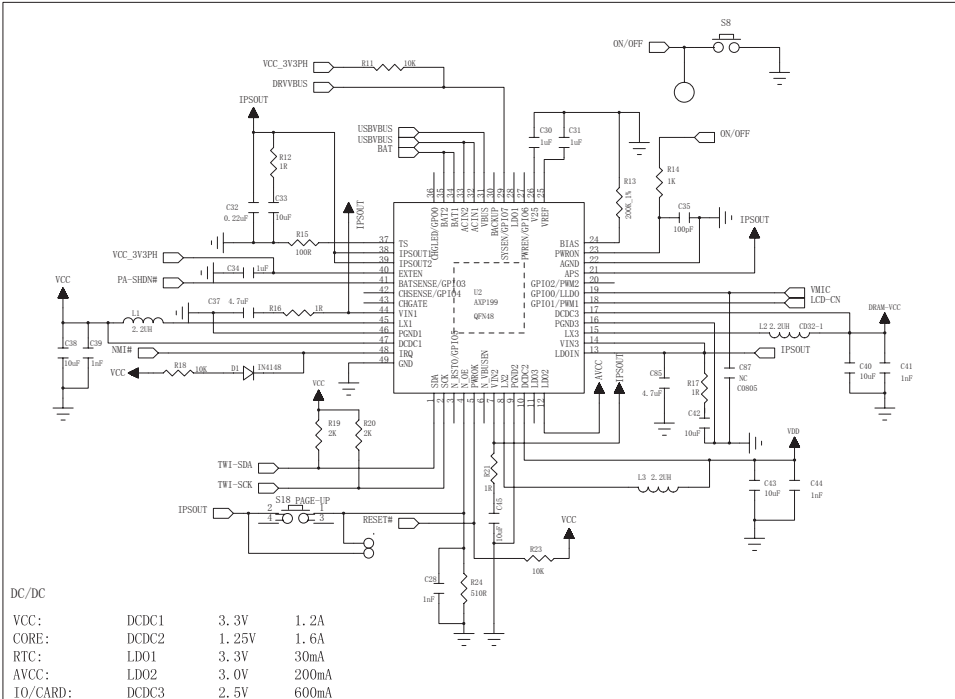
texet TB-436

REVISION RECORD			
LTR	ECO NO:	APPROVED:	DATE:



COMPANY: texet		TITLE: TB-436	
DRAWN: 2	DATED:	CODE:	SIZE:
CHECKED:	DATED:	DRAWING NO:	
QUALITY CONTROL:	DATED:	REV:	
RELEASED:	DATED:	SCALE:	
SHEET: 1 OF 4		REV: A2	

REVISION RECORD			
LTR	ECO NO:	APPROVED:	DATE:



COMPANY: **texet**

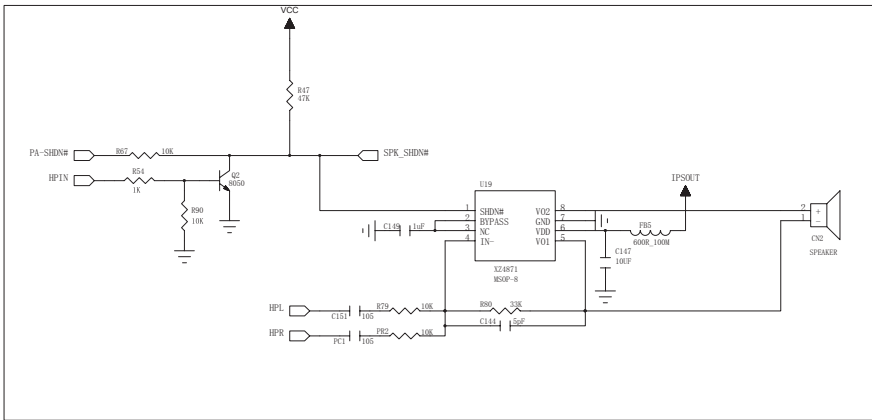
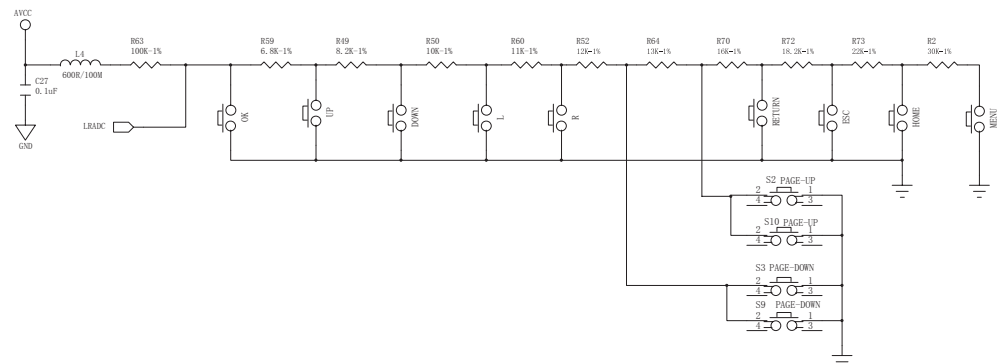
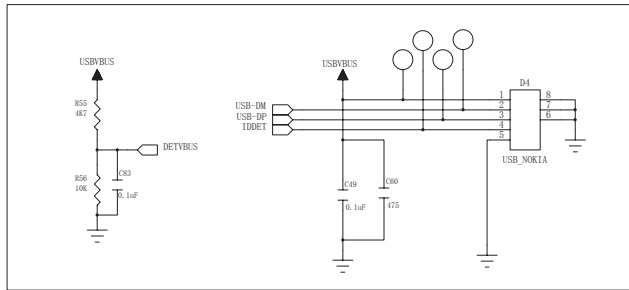
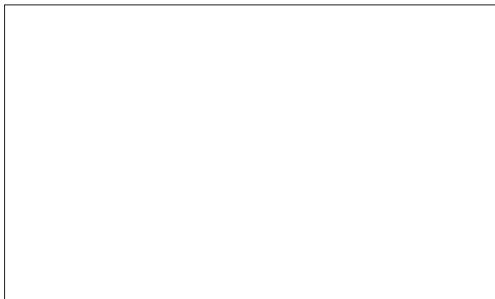
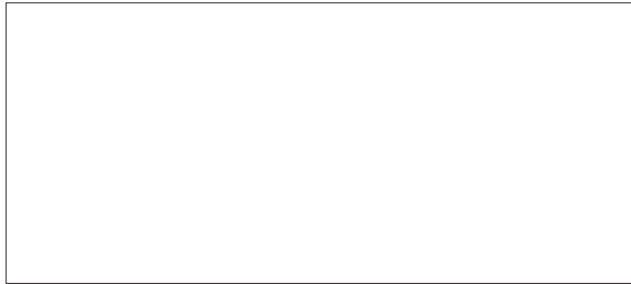
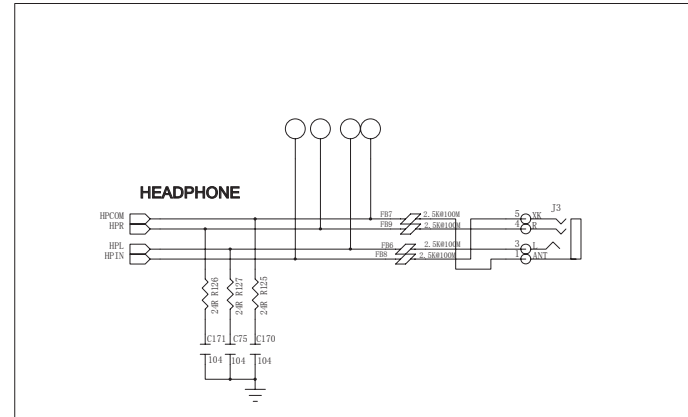
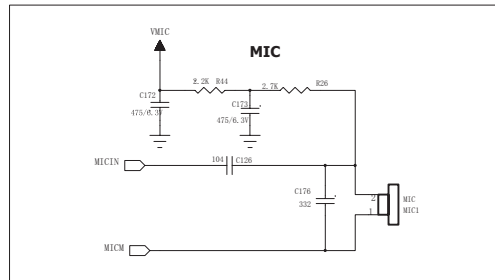
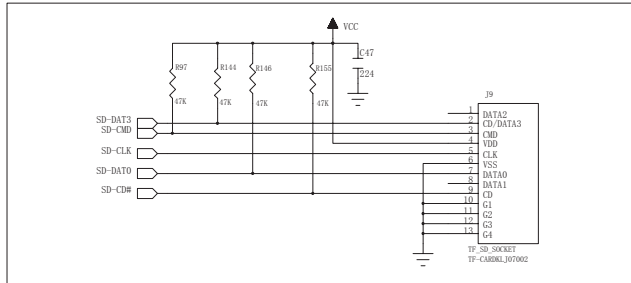
TITLE: **TB-436**

SCALE: **A2**

SHEET: 2 OF 4

DRAWN:	DATED:	CODE:	SIZE:	DRAWING NO:	REV:
CHECKED:	DATED:				
QUALITY CONTROL:	DATED:				
RELEASED:	DATED:				

REVISION RECORD			
LTR	ECO NO:	APPROVED:	DATE:



COMPANY: **TEXET**

TITLE: **TB-436**

DRAWN:	DATED:	CODE:	SIZE: A2	DRAWING NO:	REV:
CHECKED:	DATED:	SCALE:		SHEET: 3 OF 4	
QUALITY CONTROL:	DATED:				
RELEASED:	DATED:				

6

5

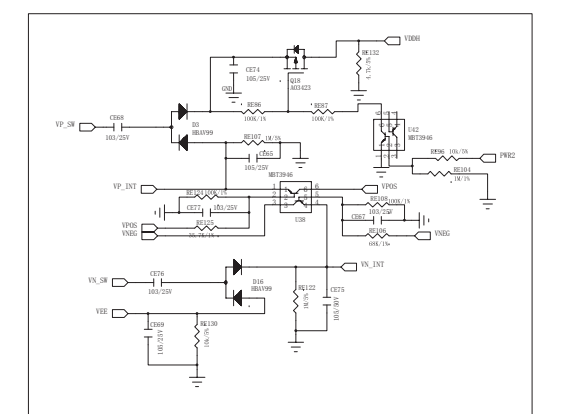
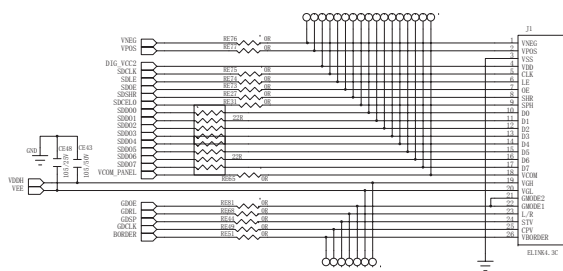
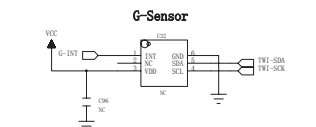
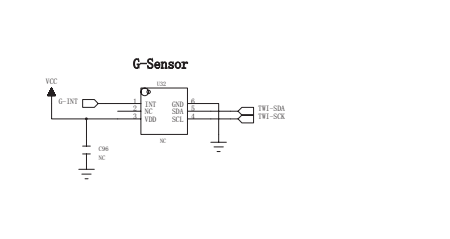
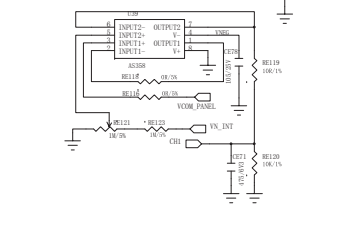
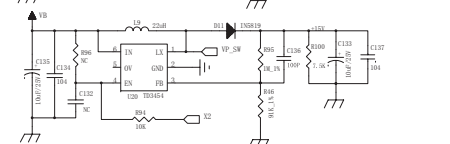
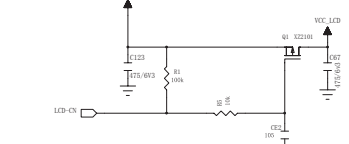
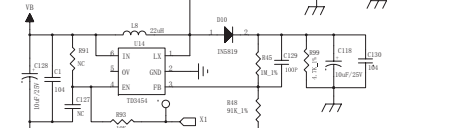
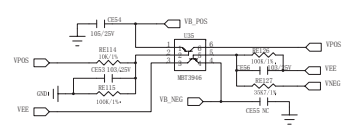
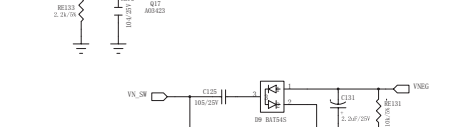
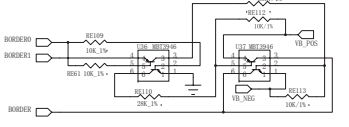
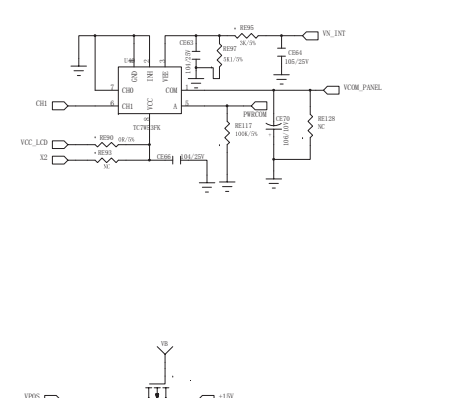
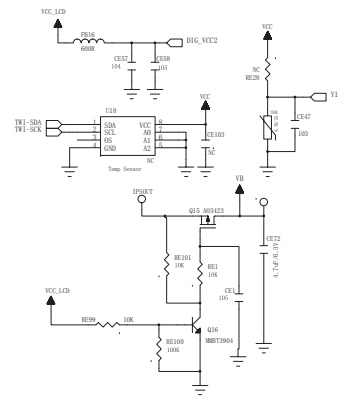
4

3

2

1

REVISION RECORD			
LTN	ECO NO:	APPROVED:	DATE:



COMPANY:		textet		
TITLE:		TB-436		
DRAWN:	DATED:	CODE:	SIZE:	DRAWING NO:
CHECKED:	DATED:	A2		REV:
QUALITY CONTROL:	DATED:			
RELEASED:	DATED:			
SCALE:			SHEET: 4 of 4	

D

C

B

A