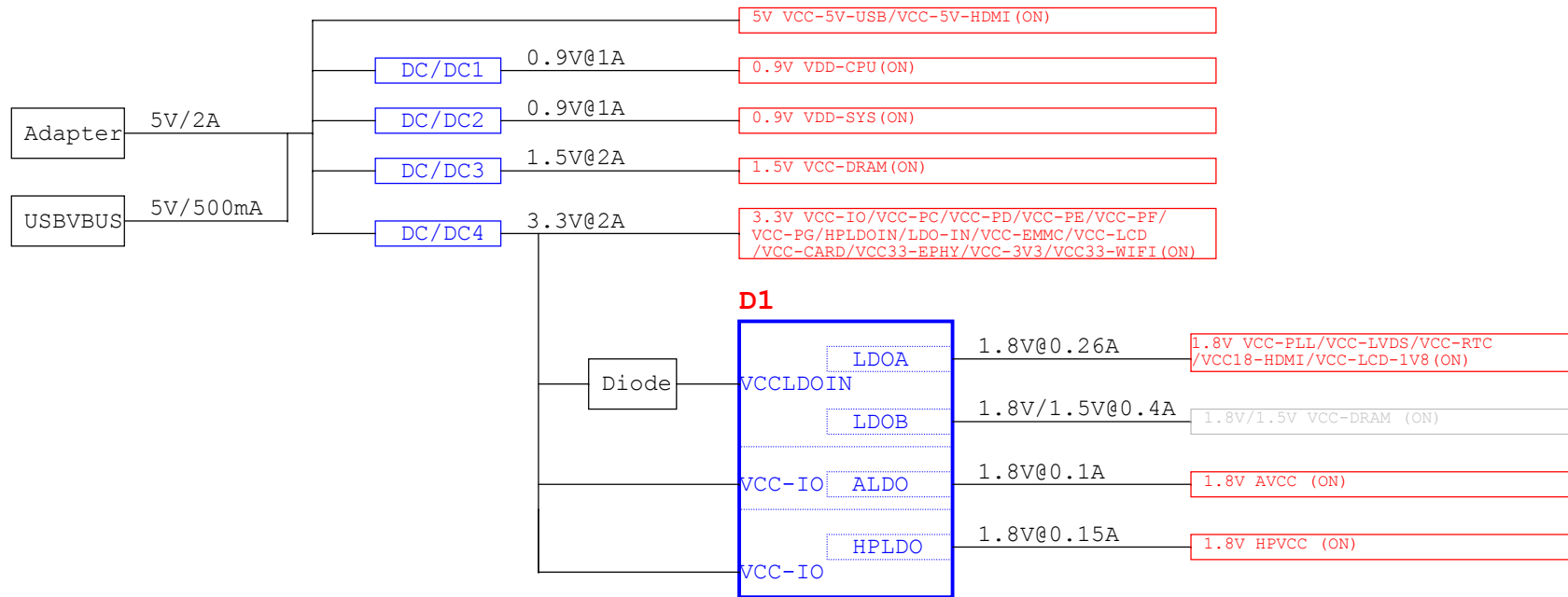
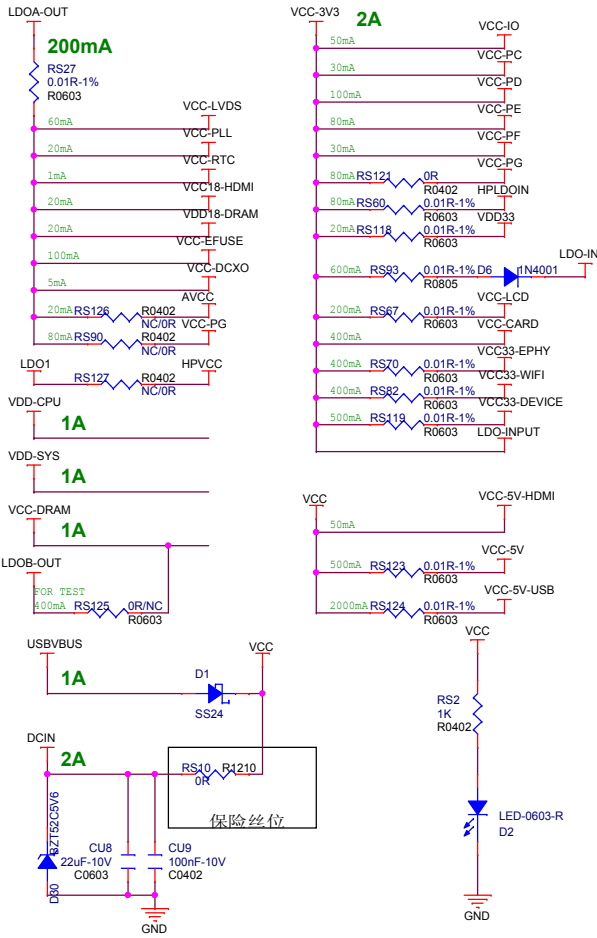


POWER TREE

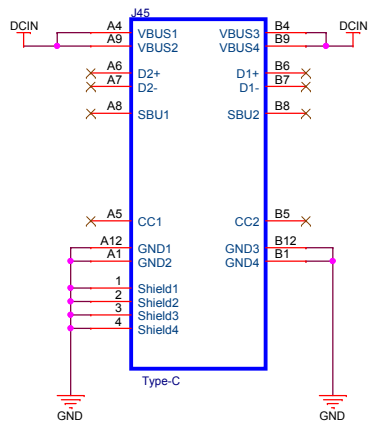
DEFAULT POWER ON
 DEFAULT NC



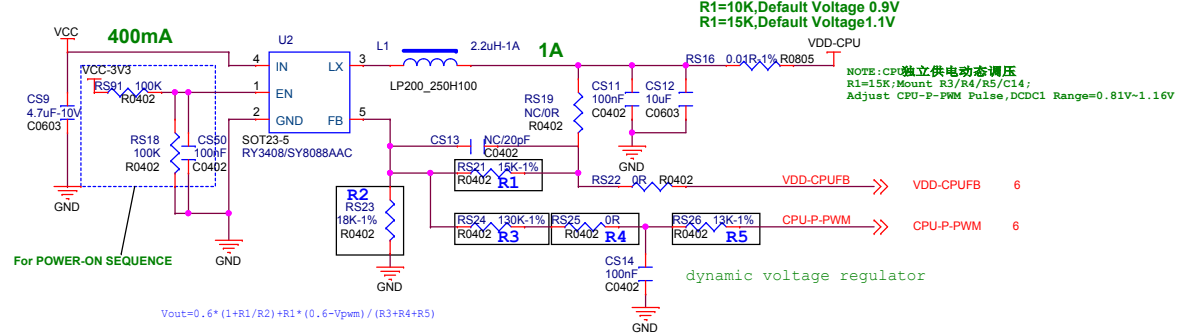
POWER



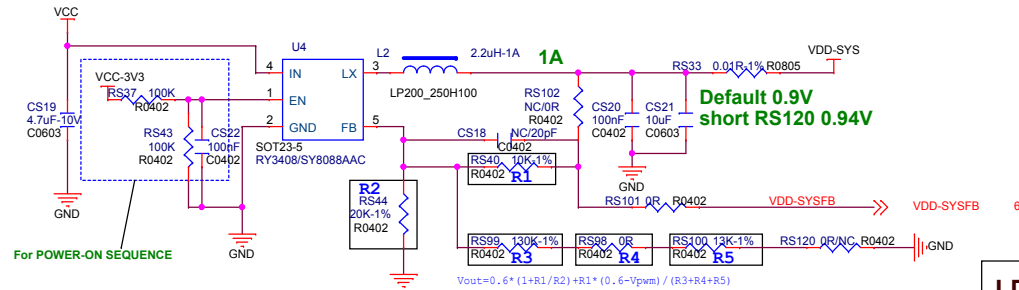
TYPE-C-POWER



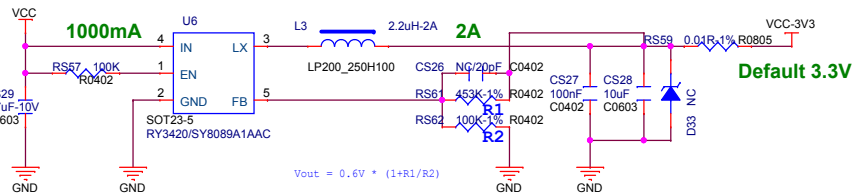
DCDC1 FOR CPU



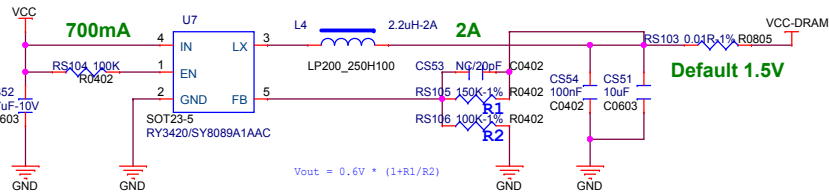
DCDC2 FOR SYS



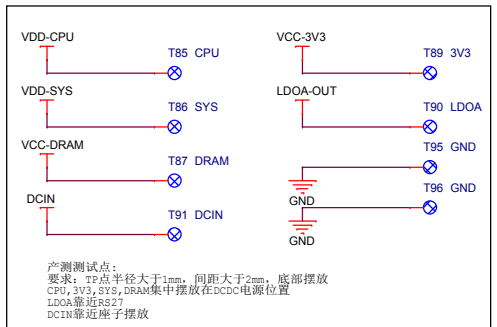
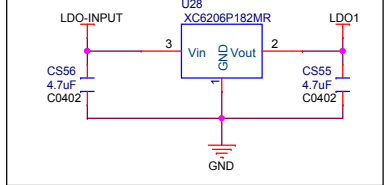
DCDC4 FOR 3V3



DCDC3 FOR DRAM

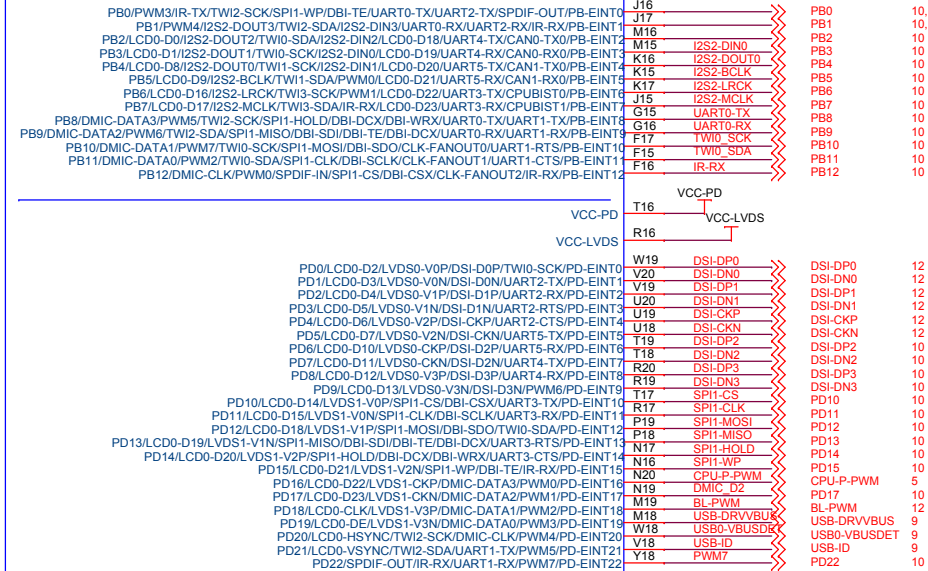


LDO1 BACKUP FOR HPVCC

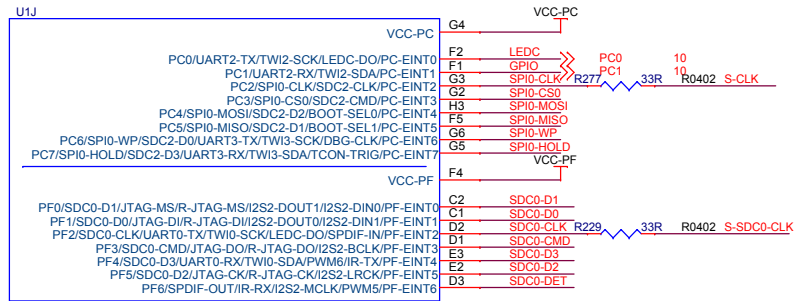


SOC SYS

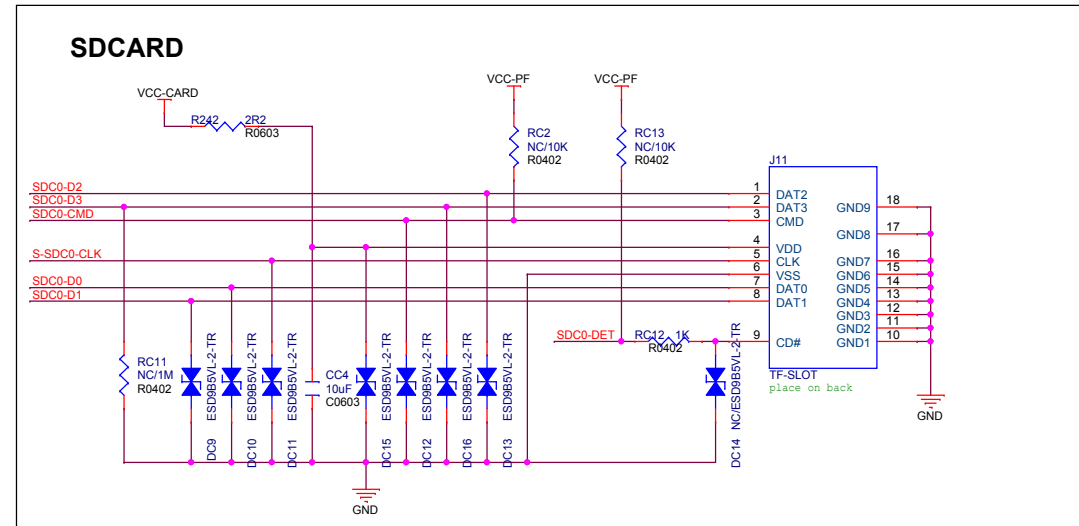
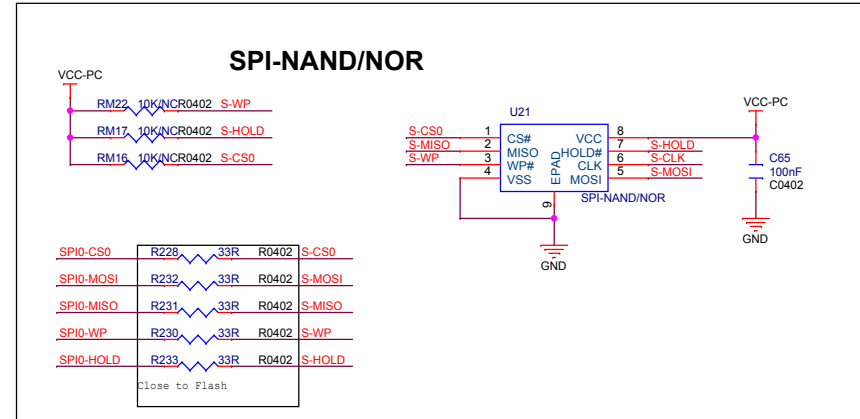
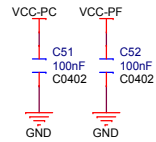
U1H



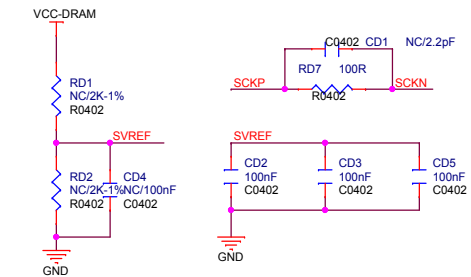
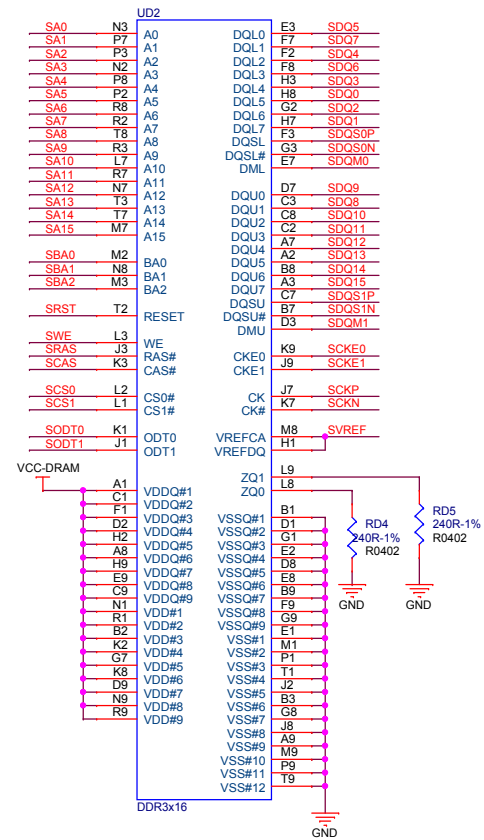
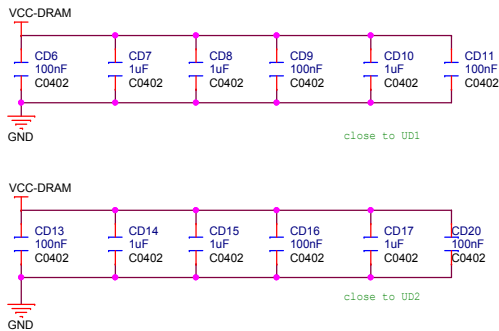
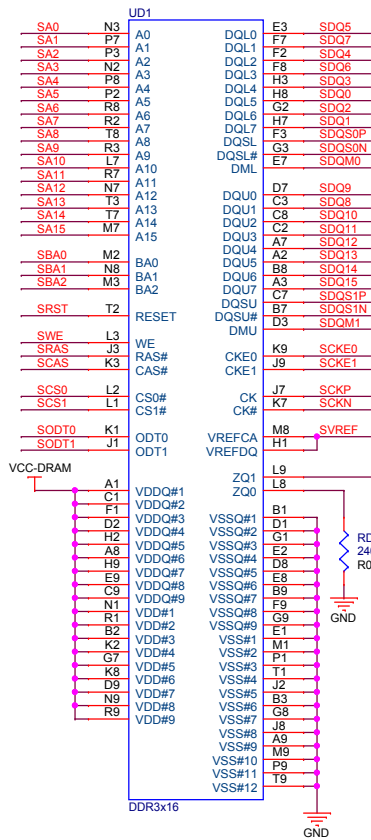
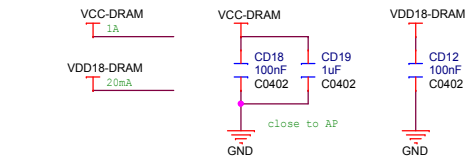
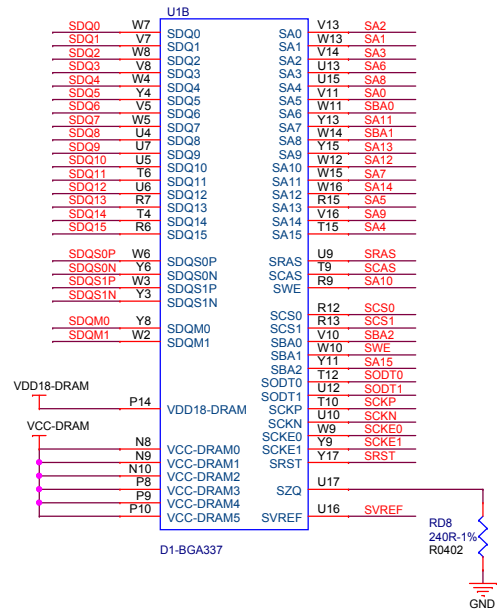
SOC-FLASH&CARD



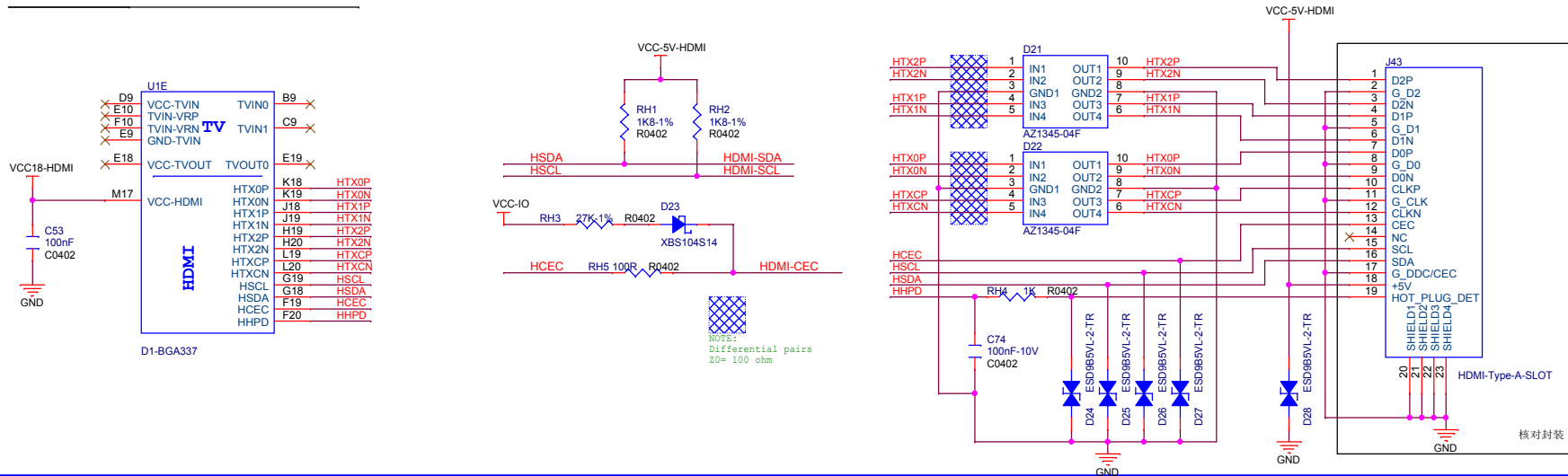
D1-BGA337



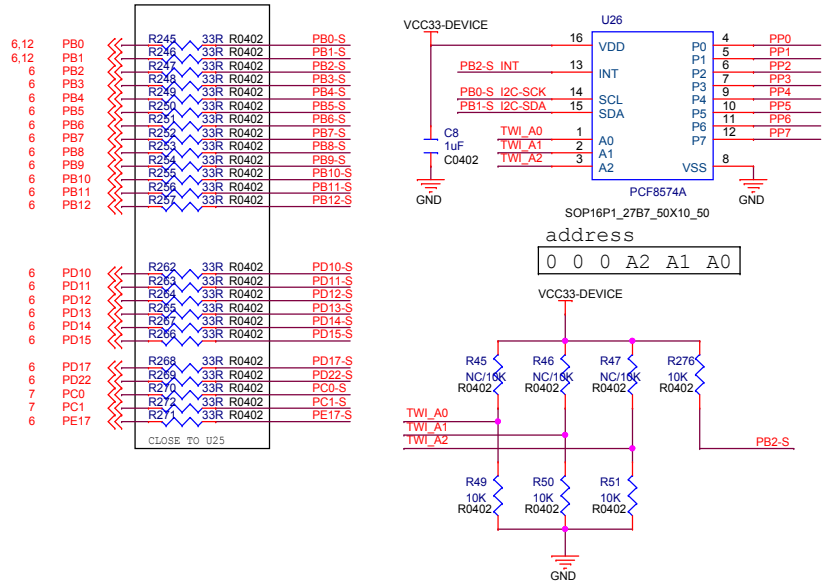
DDR3 16x2



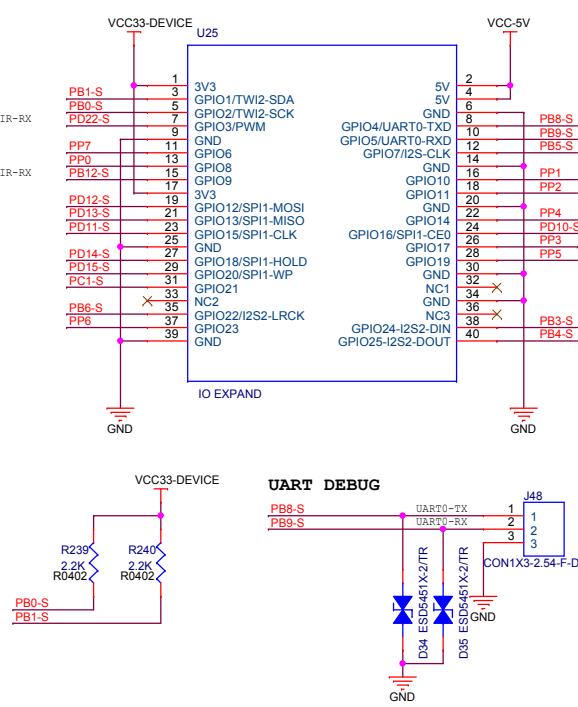
HDMI&IO EXPAND



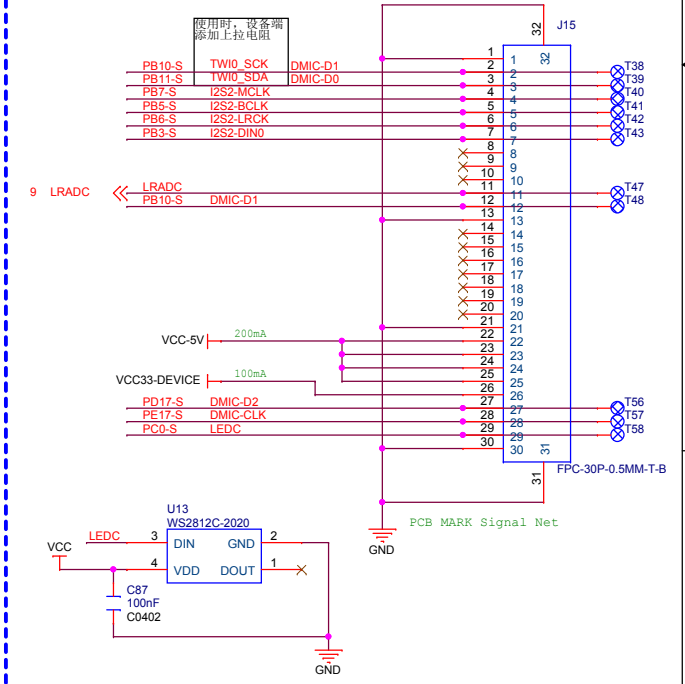
IO EXPAND



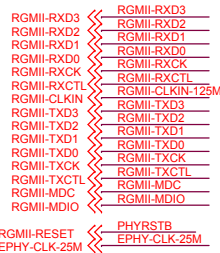
IO EXPAND



EXTERNAL AMIC/DMIC

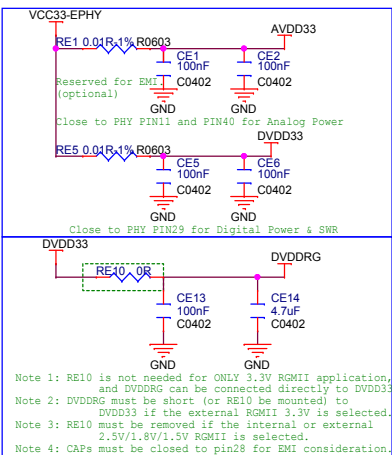


EPHY

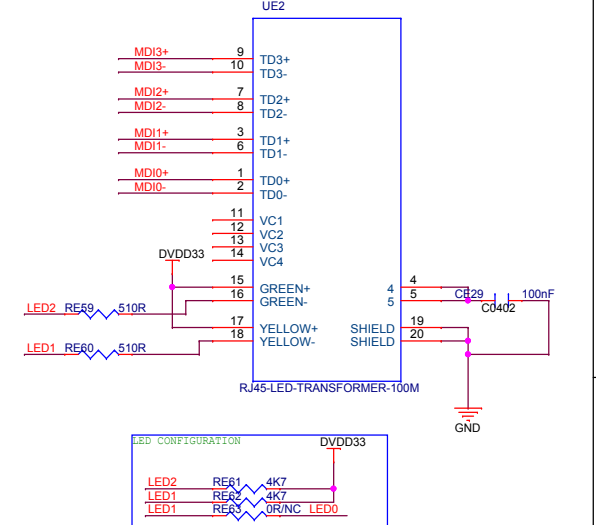
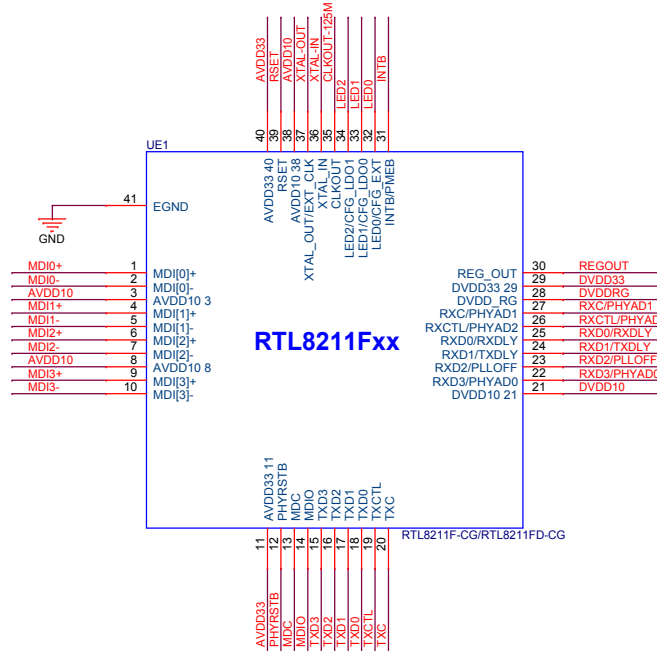
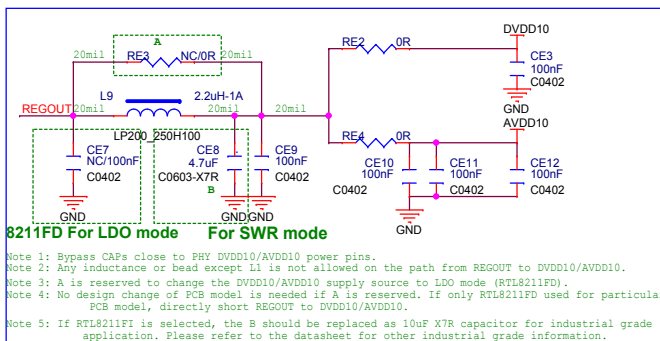
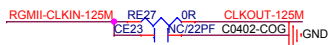
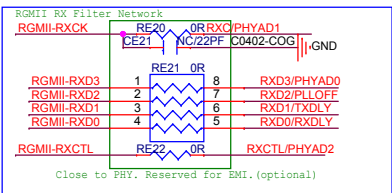
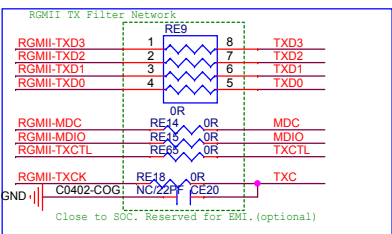


External Clock From SOC

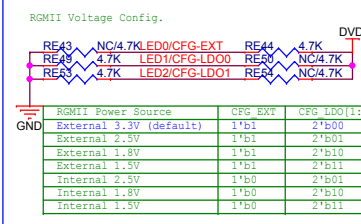
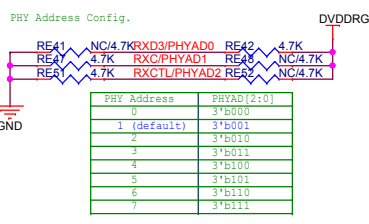
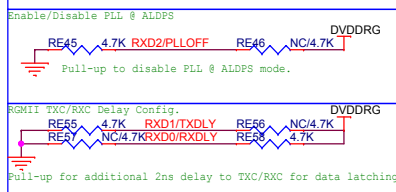
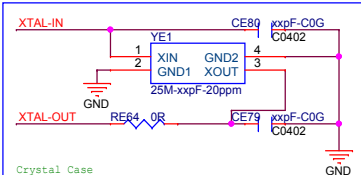
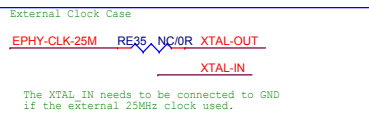
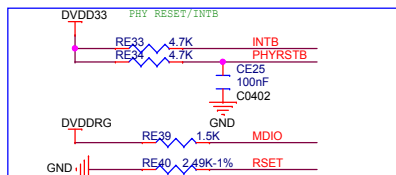
VCC33-EPHY



Note 1: RE10 is not needed for ONLY 3.3V RGMII application, and DVDDR3 can be connected directly to DVDD33.
 Note 2: DVDDR3 must be short (or RE10 is mounted) to DVDD33 if the external RGMII 3.3V is selected.
 Note 3: RE10 must be removed if the internal or external 2.5V/1.8V/1.5V RGMII is selected.
 Note 4: CAPs must be closed to pin28 for EMI consideration.



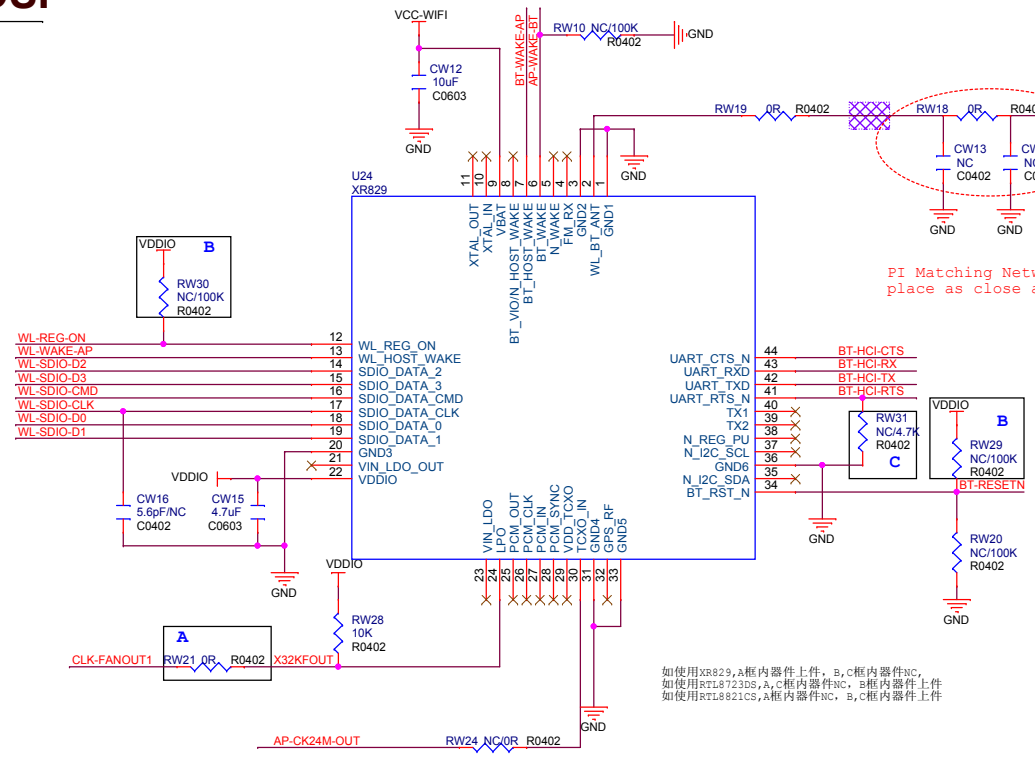
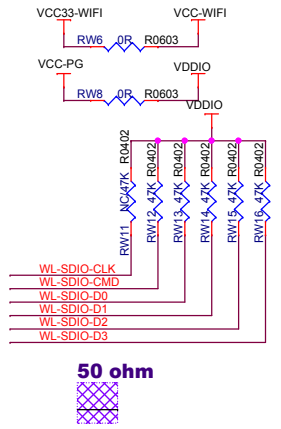
选型



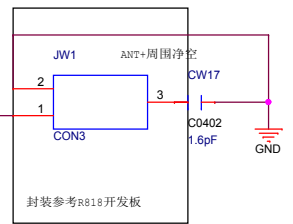
AllWinner Technology Co., Ltd
 Design Name: **D1_STD_DDR3_16X2**
 Size: A3 Page Name: EPHY Rev:
 Date: Tuesday, February 23, 2021 Sheet: 11 of 12

WIFI MODULE&MIPI DSI

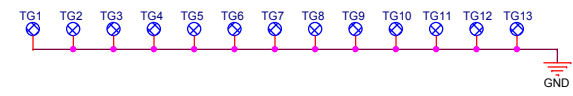
- 6 AP-SDC1-CLK << WL-SDIO-CLK
- 6 AP-SDC1-CMD << WL-SDIO-CMD
- 6 AP-SDC1-D0 << WL-SDIO-D0
- 6 AP-SDC1-D1 << WL-SDIO-D1
- 6 AP-SDC1-D2 << WL-SDIO-D2
- 6 AP-SDC1-D3 << WL-SDIO-D3
- 6 WL-REG-ON << WL-RESETN
- 6 WL-WAKE-AP << WL-WAKE-AP
- 6 AP-CK24M-OUT << AP-CLK-OUT
- 6 CLK-FANOUT1 << CLK-FANOUT1
- 6 AP-UART1-TX << BT-HCI-RX
- 6 AP-UART1-RX << BT-HCI-TX
- 6 AP-UART1-RTS << BT-HCI-CTS
- 6 AP-UART1-CTS << BT-HCI-RTS
- 6 BT-WAKE-AP << BT-WUP-HOST
- 6 AP-WAKE-BT << BT-HOST-WUP
- 6 BT-RESETN << BT-RESETN



PI Matching Network is recommended to place as close as possible to JW1

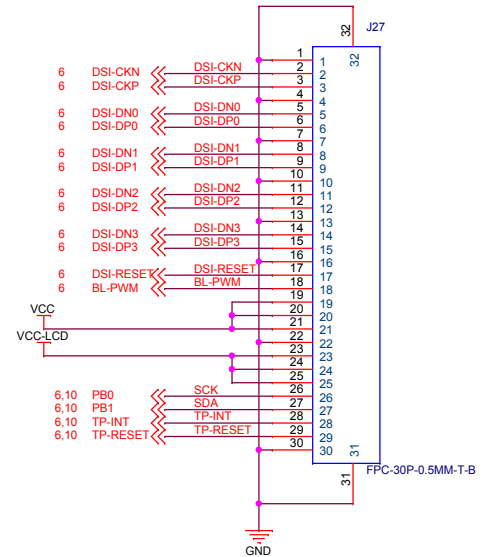


Shielding



如使用x829, a框内器件上件. a, c框内器件NC,
如使用rtl8723ds, a, c框内器件NC. b框内器件上件
如使用rtl8821cs, a框内器件NC. b, c框内器件上件

MIPI-DSI



AllWinner Technology Co., Ltd		
Design Name: D1_STD_DDR3_16X2		
Size: A3	Page Name: WIFI&MIPI DSI	Rev:
Date: Tuesday, February 23, 2021	Sheet: 12	of: 12